



U.S. Department  
of Transportation  
**Federal Highway  
Administration**

400 Seventh St., S.W.  
Washington, D.C. 20590

In Reply Refer To:  
HSA-10/WZ-100 - Amendment #7

Mr. William M. Korman, Jr., President  
Korman Signs, Inc.  
3029 Lincoln Avenue  
Richmond, Virginia 23228

Dear Mr. Korman:

Thank you for your April 11 correspondence requesting the Federal Highway Administration (FHWA) acceptance of a modification to your company's Model SS548 Series and SS560 series portable sign stands as crashworthy traffic control devices for use in work zones on the National Highway System (NHS). Accompanying your letter was the FHWA Office of Safety Design form, completed by your engineer, Mr. Dave Chrisman, and a DVD compilation of relevant crash tests. You requested that we find these modified devices acceptable for use on the NHS under the provisions of National Cooperative Highway Research Program Report 350 "Recommended Procedures for the Safety Performance Evaluation of Highway Features."

This letter is the acknowledgement of the FHWA's acceptance of your request. The electronic version of your completed form has been modified by the addition of the FHWA Acceptance Letter number and the date of our review, along with minor editorial changes. The form, of which a copy is enclosed for reference, will be posted on our website in the near future.

Thank you for working with us as we institute this new review and acceptance process.

Sincerely yours,

John R. Baxter, P.E.  
Director, Office of Safety Design  
Office of Safety

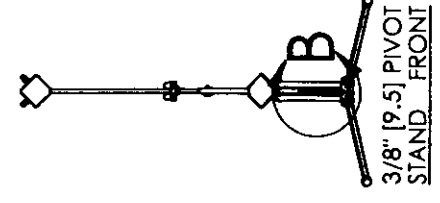
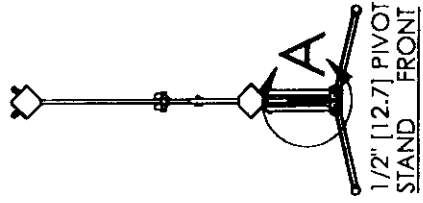
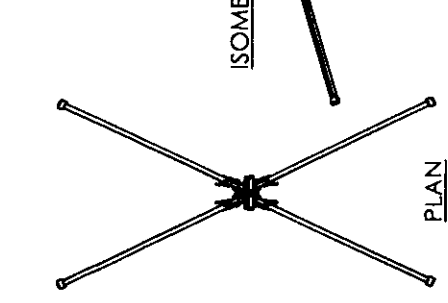
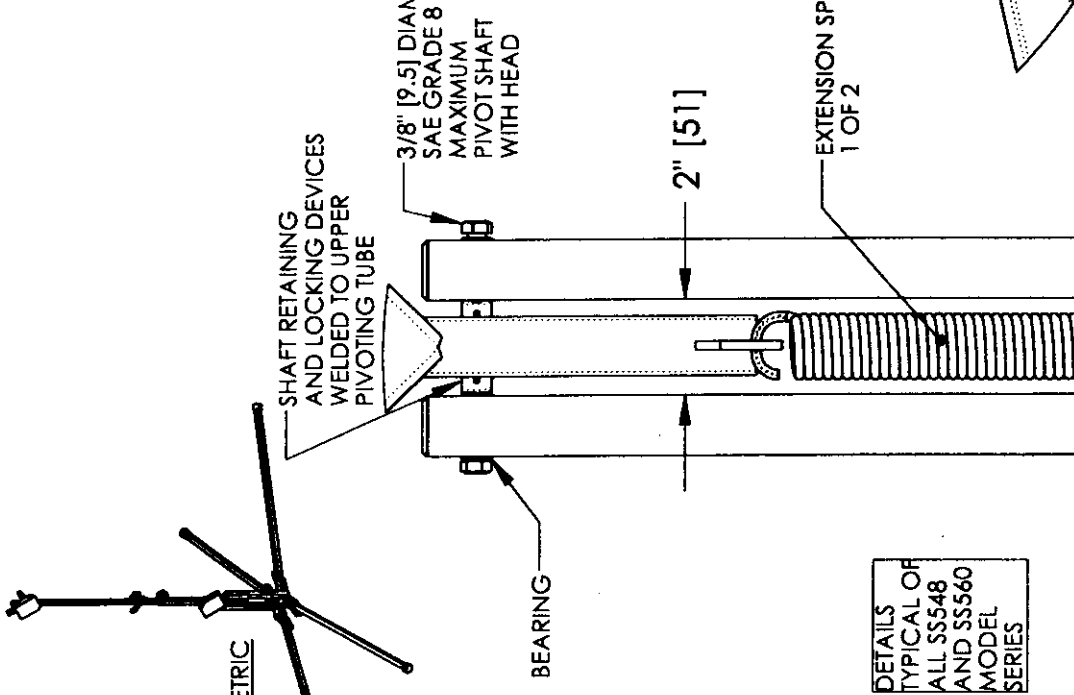
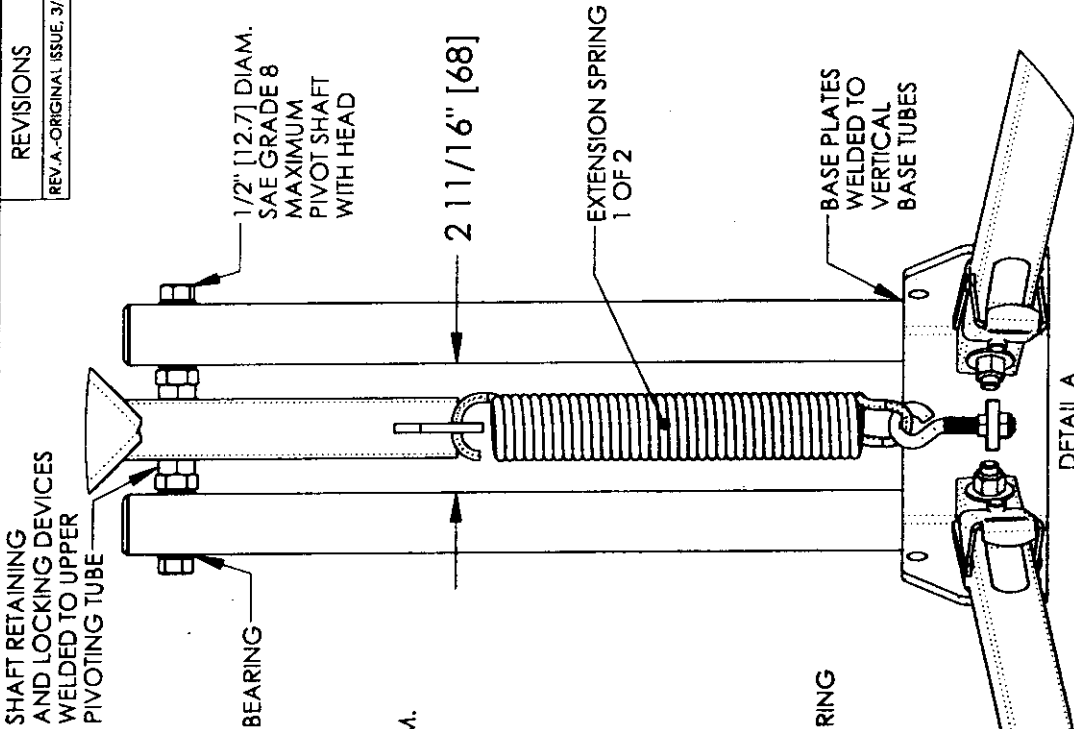
Enclosure

FHWA:HSA-10:NArtimovich:tb:x61331:4/24/06



File: h://directory folder/artimovich/WZ100#7Korman.doc  
cc: HSA-10 (Reader, HSA-1; Chron File, HSA-10; N.Artimovich, HSA-10;  
M.McDonough, HSA-10; JBaxter, HSA-10)

REVISIONS
REV. A - ORIGINAL ISSUE, 3/31/06



DETAILS TYPICAL OF ALL SS548 AND SS560 MODEL SERIES

DETAIL A SCALE 1:4

DETAIL B SCALE 1:4

**Korman Signs** INC.

**3/8" & 1/2" SIGN STAND PIVOT COMPARISON**

REV. A	APPROVED:
SCALE:	NOT TO SCALE
DATE:	3/31/06
DRAWN BY:	DCC

DWG. NO. C033106A SHEET 1 OF 1